



**“BEXP” Series High Quality Fixed Ratio CO2 Beam Expanders with Focus Control**

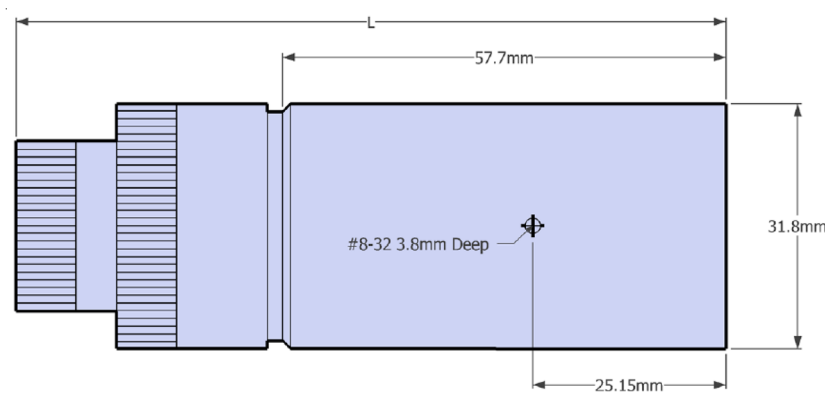
**Fixed Ratio Beam Expander for 10.6um/CO2**

The BEXP series of fixed ratio beam expanders for CO2 applications and wavelengths delivers to the laser system integrator solid performance in a robust and reliable package. Designed and built with high quality ZnSe lenses and 10.6um AR coatings, this series also provides a focus adjustment to control the airspace length between the optical elements.



**BEXP-10.6-nX Fixed Ratio Beam Expanders for 10.6um/CO2 Applications**

Model #	Magnification	Exit Aperture	Overall Length
BEXP-10.6-2X	2X	20	71.9*
BEXP-10.6-2.5X	2.5X	17	91.9
BEXP-10.6-3X	3X	20	92.6
BEXP-10.6-3.5X	3.5X	20	91.2
BEXP-10.6-3.75X	3.75X	20	93.4



All dimensions in millimeters unless specified otherwise. For -2X model 57.7mm dimension is 37.8mm and the #8-32 mounting hole is not provided. Specifications subject to change without notice.