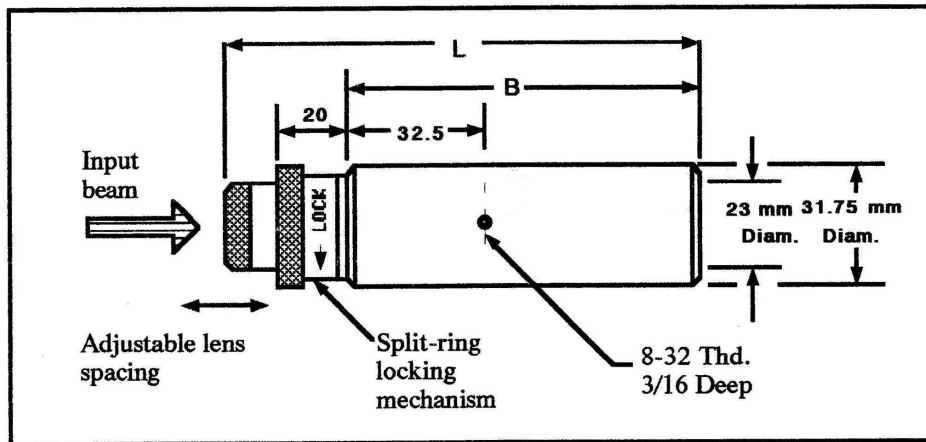




**BEXP1064 Series 1064nm Fixed Ratio Beam Expander with Focus**

**BEXP Series Beam Expanders**

Designed for High Performance Laser System Applications based on 1064nm wavelengths, the BEXP Beam Expander family offers the laser system integrator a larger aperture unit with superior performance, high quality and excellent uniformity from unit to unit, in a precise and reliable package. High quality optics, coatings and meticulous manufacturing and quality standards produce a highly reliable unit you can depend on for your laser system.



**Model # BEXP1064-nX 1064nm Fixed Ratio Beam Expander with Focus Control**

Model #	Magnification	Input Aperture	Length (L)	Transmission
BEXP1064-2X	2X	10.0	94.2	≥96%
BEXP1064-2.5X	2.5X	8.0	94.7	≥96%
BEXP1064-3X	3X	7.0	122.8	≥96%
BEXP1064-4X	4X	6.0	99.7	≥96%

All dimensions in millimeters unless specified otherwise, specifications subject to change without notice.

BeamExpander.com LLC, Canton, MA, USA Tel: 781-255-1063 www.beamexpander.com