



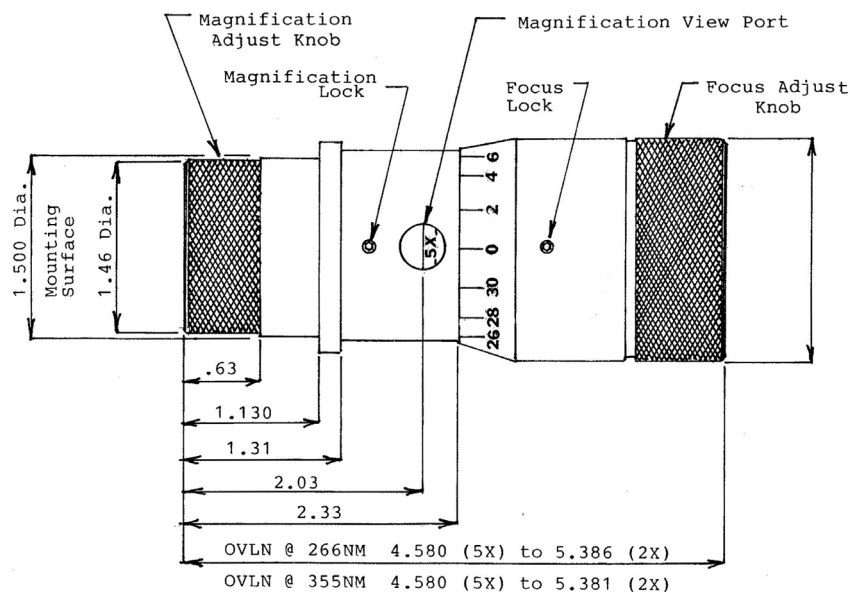
EXZ Series Zoom Beam Expanders for 266nm & 355nm

1-5X Magnification Ratio, with Collimation Adjustment

EXZ Series UV Zoom Expanders

Designed for High Performance Laser System Applications using 266nm & 355nm the EXZ Series offers the laser system integrator superior performance, high quality and excellent uniformity from unit to unit, in a small and precise package. Meticulous design, manufacturing and quality standards coupled with high performance AR coatings produce a highly reliable unit you can depend on for your laser system. Magnification is controlled by rotating the knurled ring on the input side of the unit and locked by a nylon tipped set screw. Collimation is achieved by rotating the knurled ring on the output side of the unit, also locked by a nylon tipped set screw.

Model #	EXZ0266-1-5X	EXZ0355-1-5X
Wavelength	266nm	355nm
Expansion Ratio	1-5X	1-5X
Maximum Output	20mm	20mm
Length Range	116-137mm	116-137mm
Transmission	≥96%	≥96%

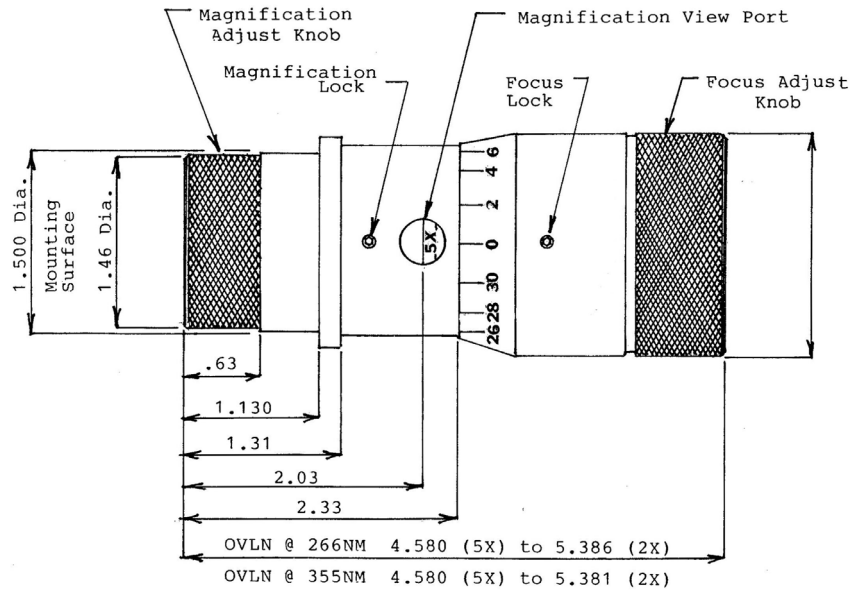


All dimensions in millimeters unless specified otherwise, specifications subject to change without notice.

BeamExpander.com LLC, Canton, MA, USA Tel: 781-255-1063



Model EXZ0355-1-5X Zoom Beam Expander for 355nm, 1-5X Magnification Ratio, with Collimation Adjustment



Magnification	Focus Setting	Length*
1.00	0.549	130.3
1.25	0.709	134.3
1.50	0.787	136.3
1.75	0.805	136.8
2.00	0.806	136.8
2.25	0.777	136.1
2.50	0.737	135.1
2.75	0.683	133.7
3.00	0.624	132.2
3.25	0.557	130.5
3.50	0.487	128.7
3.75	0.412	126.8
4.00	0.334	124.8
4.25	0.253	122.8
4.50	0.170	120.7
4.75	0.087	118.5
5.00	Ref.	116.3

All dimensions in millimeters unless specified otherwise, specifications subject to change without notice.
 BeamExpander.com LLC, Canton, MA, USA Tel: 781-255-1063